

PRO-SERIES ADVANTAGE HIGH BAY



Summary

- The PRO SERIES LED high bay is designed specifically to replace traditional HID in a variety of applications, both industrial and commercial areas.
- It adopts the most advanced LM80 / TM21 certified Nichia chips as light source and UL listed Meanwell driver as power supply. With innovative optics and an ultra-thin, thermally efficient housing design, it produces up to 23,126 lumens of uniform illumination and industry leading efficacy approaching 119 lm/W.
- Combined with dimmable versions , 1-10V DALI system and sensors. PRO SERIES will help you save even 80% energy.
- PRO SERIES LED high bays are now available in 100W, 120W, 150W, 200W which are direct replacement of 250W-700W conventional high bays, and suitable installed at 5-15m height.
- Multiple installations optional, suitable for various applications.

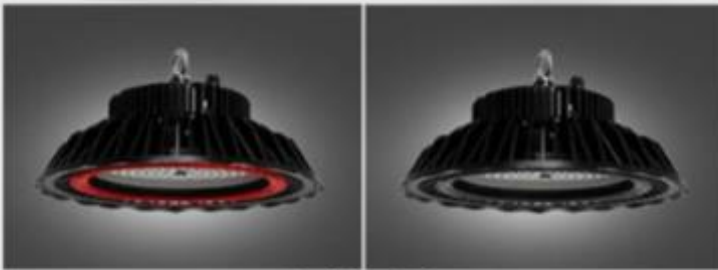
Feature & Benefits



- L70 > 60,000 Hours
- Industry leading efficacy up to 119 lm/W
- 5 years full performance warranty
- IP65 weather proof
- Dimmable version with Microwave sensor optional
- Dimmable with DALI optional
- Several optics available for different applications
- Multiple installations
- Typical ROI less than 2 years
- Saving up to 80% energy
- No UV or IR, mercury free
- Instant on/off
- Free maintenance
- Producing less heat than conventional high bays

PRO SERIES LED High Bay

- High Lumens Efficacy, 115-119lm/W
- Compact design, less labor cost
- Maintenance free



Packing Info.

All in one, no reflector, easy to carry



Installation Instruction

Hook mounted



Pipe



Ceiling mounted



wall mounted



PRO SERIES

Lighting up imagination



+



DALI Converter

1 - 10 V

DALI

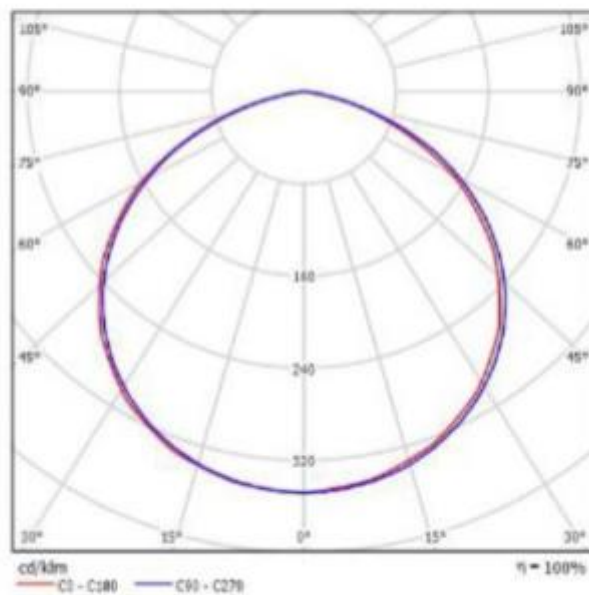
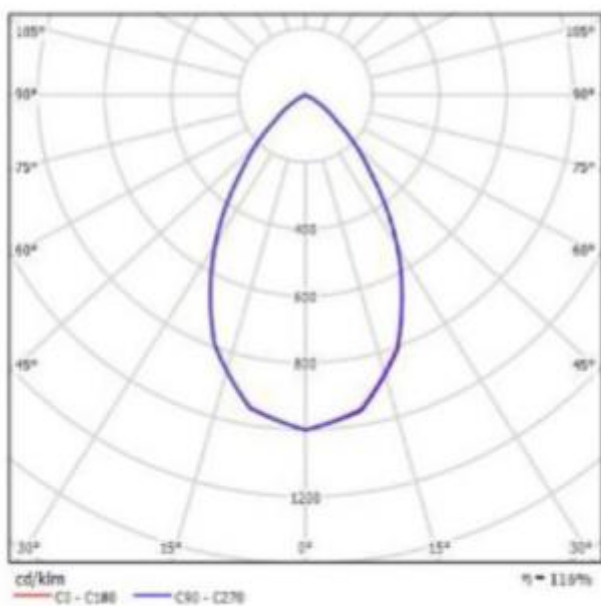
+



Motion Sensor

Dimmable and DALI optional, giving you the best control solution and energy saving upgrade.

Combined with motion sensor, you can save energy up to 80%.



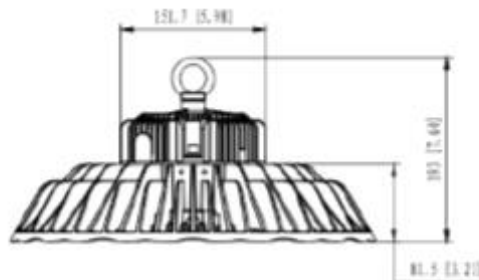
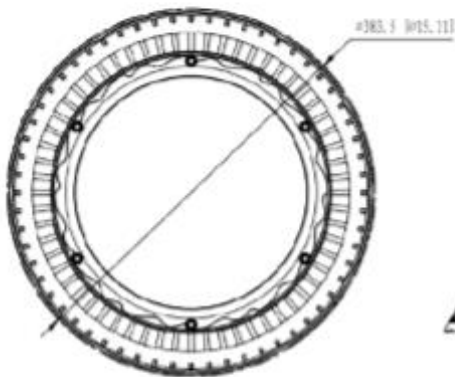
- 60 degree
- Narrow beam
- Concentrated beam suitable for high ceiling

- 120 degree
- Wide beam
- Suitable for low ceiling and general lighting

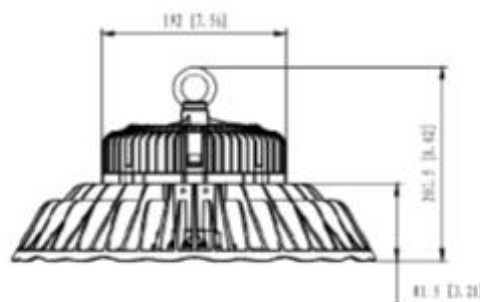
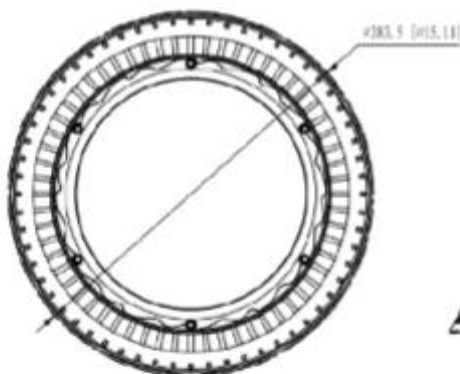
PRO SERIES

Lighting up imagination

Power	100W	120W	150W	200W
Fixture Luminous Flux	>11,500lm	>13,800lm	>17,850lm	>23,000lm
Fixture Efficiency	>115lm/W			
LED chips	Nichia SMD			
CRI	>73 (CRI > 83 optional)			
Color temp	5000K (4000K, 3000K optional)			
Beam Angle	120° (60° optional)			
IP rating	IP65			
Power Supply	Meanwell			
Input voltage	100-277VAC / 47-63Hz			
PF	≥0.95			
Materials	Die cast Aluminum / Tempered glass (PC lens optional)			
Installation	Hook / Pipe / Bracket			
Equivalent	250W	250W-400W	400W-600W	700W
Dimension	∅383*193mm	∅383*193mm	∅383*193mm	∅383*203mm
Package size	44*26*44cm			
N.W	6.3+/-0.3Kg	6.7+/-0.3Kg	6.7+/-0.3Kg	7.3+/-0.3Kg
G.W	7.8+/-0.3Kg	8.3+/-0.3Kg	8.3+/-0.3Kg	8.8+/-0.3Kg



100W/120W/150W



200W

Versatile Installation



Hook Mount(standard)



Ceiling Mount



Pipe Mount














Pendant Mount



Wall Mount

Multiple mounting options for various applications

	DALI Converter		Ceiling mounted bracket non-rotatable
	Microwave sensor		Wall mounted bracket rotatable
	Cable Connector		Bracket for fitting DALI converter
	1.5m 3 pin flex and Au plug		bracket for fitting sensor
	Pendant mounted bracket		60° lens
	Pipe mounted bracket		